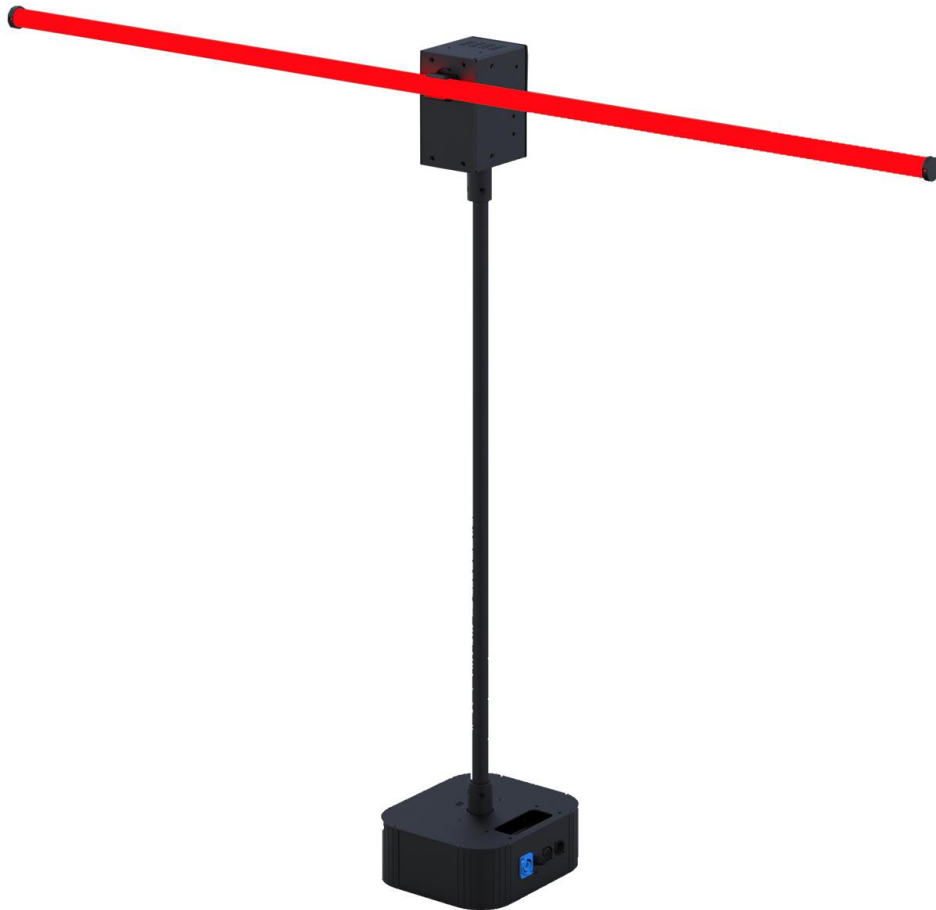




Infinite Rotating Pixel Tube User Manual



User manual

Please read this user manual before using this product

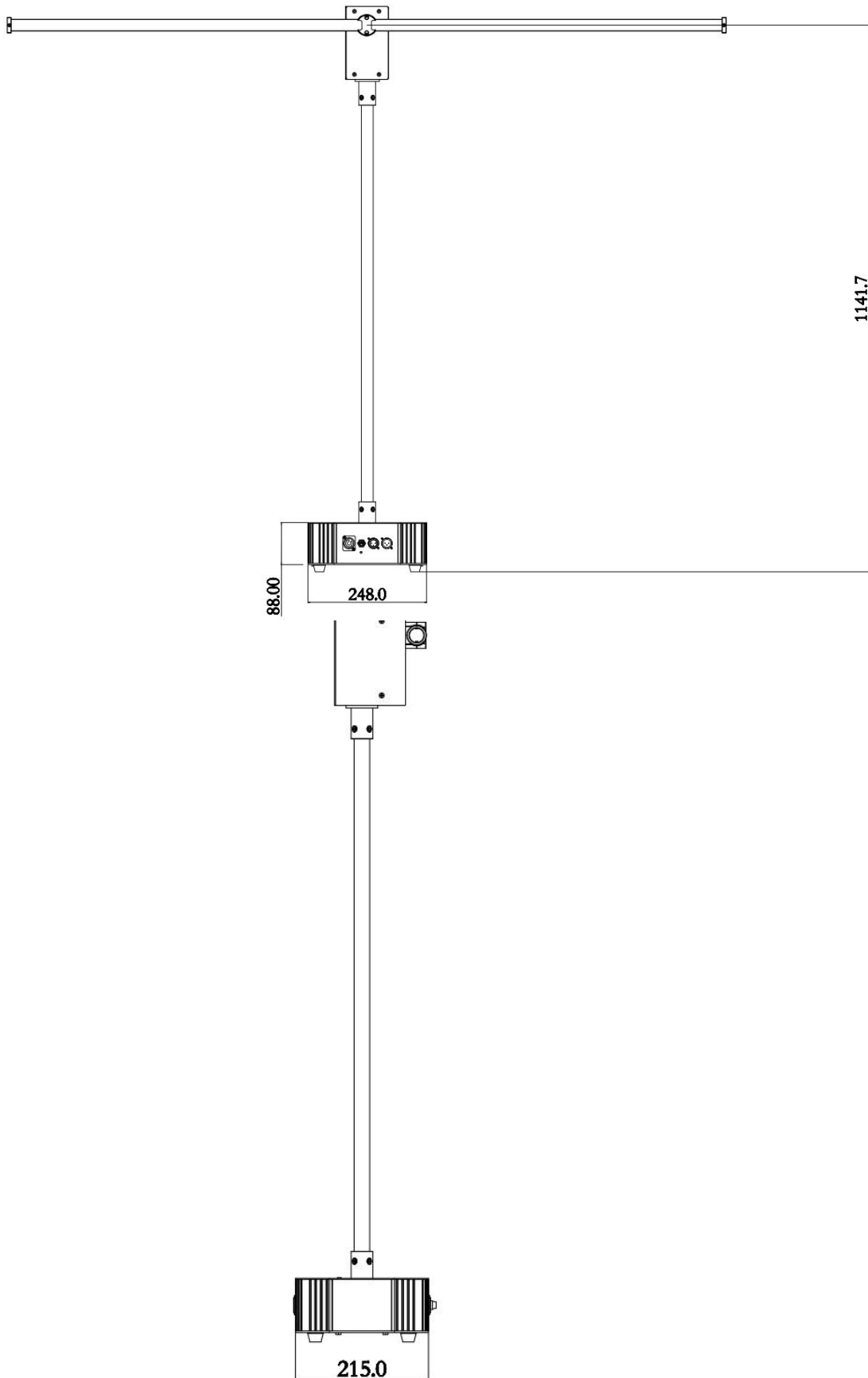




Catalogue

1. Product Dimensions	3
2. Security Wizard	4
3. Safety instruction	5
4. Product Specification	6
5. Channel List	6,7
6. Controller Function Overview	8
7. Menu	9,10

1.Product Dimensions





2.Security Wizard

Checking before using

No.	Item	Quan	Unit
1	electric machine controller	1	piece
2.	1000MM/1500MM Tube	1	piece
2	Power cable,DMX cable,CAT5 cable	3	piece
3	User manual	1	piece

★For security reasons and in accordance with the terms, reassemble or modify the product is not allowed without permission. Please note that due to human damage caused by improper use of the product, it will break the warranty qualification. Moreover, the unprofessional operation may lead to short circuits, burns or electric shock, and so on.

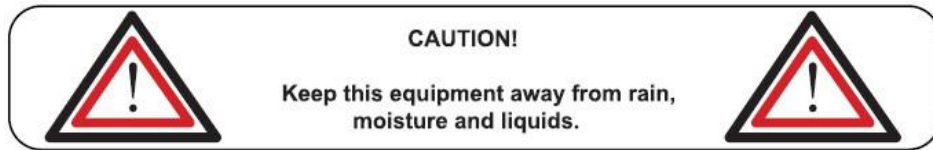
★This device has been full inspection before shipping. For your safety, please operate it according the User Manual.

★If any damage caused by improper operation will result in the termination of the warranty claims. The manufacturer does not accept any responsibility of property damage due to improper operation or personal injury due to non-compliance with the operating instructions.

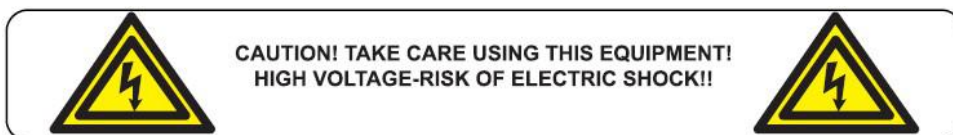
★Keep the manual in a safe place for future reference as well as after the product sale, lease, etc.

★Note: Based on product improvements, specification may change without notice. Changes in product specifications related rights will be reserved.

3.Safety instruction



1. When opening the packing, take all accessories out, and remove the light to a horizontal table for good operation. First check whether the accessories are complete, then check carefully whether the whole light has no damage. If there is any damage, please contact us as soon as possible.
 2. AC Power: Check whether the local power supply is accordance with the requirements of the product rated voltage.
 3. The product is only suitable for indoor working environment. The light should keep dry, keep away from wet, overheat or dusty environment. Don't come into contact with water and other liquids to prevent or reduce the risk of electric shock or fire.
 4. Please do not install the light directly on the surface of the combustible substance.
 5. The people who install, operate and maintain of light professional certificate required.
 6. When there are faults of the light, please stop using the light immediately. Don't try to repair, please contact the nearest authorized technical assistance center, if the parts damage, always use the same type of parts replaced.
 7. Don't touch any electrical wiring in the process of operation to prevent the risk of electric shock.
 8. To make sure the light working environment temperature, the highest do not exceed 40℃, the lowest do not exceed - 20 ℃.
 9. Under the stable cooling working situation, the highest temperature of the housing of the light can reach 80 ℃, please do not touch.
 10. The light is design according to the type of electric shock protection. The light should be use in good connection grounding power system and the earth sign port of the light should be connected to the installing fixtures.
 11. Do not use the damage of the insulating layer wire and also do not use the power cord overlap on the other wire. When not in use or clean the light, please disconnect the power, don't pull the plug in hard or just drag the wires.
 12. There are no components inside for maintenance. Before start operation the light, please check whether all of the shell is installed. In the case of the shell open used the light is prohibited.
- Note: Before performing any installation, repair and cleaning of the lamp, please confirm that the power cable has been cut off.





4.Product Specification

Input voltage:	AC90-240V 50/60Hz
Light Source:	80/160 xSMD5050 RGB
DMX Channel:	13/126 CH
Product Size:	1000X25X25MM / 1500X25X25MM
Electric controller Size	248X215X1141.7MM
LENs Option:	transparent/Milky white
Control Mode:	DMX/Artnet (Madrix direct connection), no third-party control system is required.
Singnal/Power Connection:	2*Power in/out + 2*3-pin DMX in/out + 2*EtherCon in/out
Waterproof rating:	IP20
Fixing method:	hanging/side hanging/upright
Product weight:	8KG

5.Channel List

13CH Mode

Channels	Values	Function
1CH	0-255	X axis 360 degree rotation
2CH	0-255	X axis rotation fine adjustment
3CH	0-255	Y axis 360 degree rotation
4CH	0-255	y axis rotation fine adjustment
5CH	0-128	XY axis speed
6CH	1-128	Y-axis infinite forward rotation (1 is the slowest, 128 is the fastest)
	129-255	Y-axis infinite reversal (129 speed is the smallest, 255 is the fastest)
7CH	0-255	Master Dimmer
8CH	0-5	NONE
	6-55	Synchronous strobe
	56-105	Pulse strobe
	106-155	Random strobe
	156-205	Gradient strobe 1
	206-255	Gradient strobe 2
9CH	0-255	Red
10CH	0-255	Green
11CH	0-255	Blue

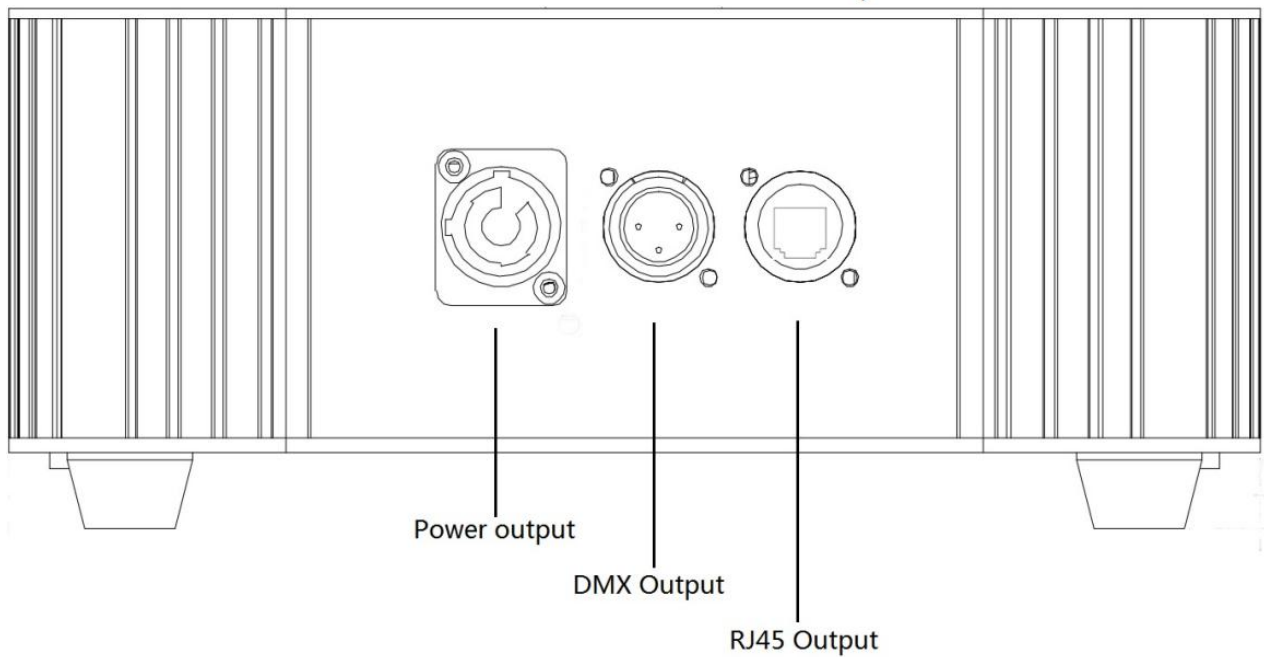
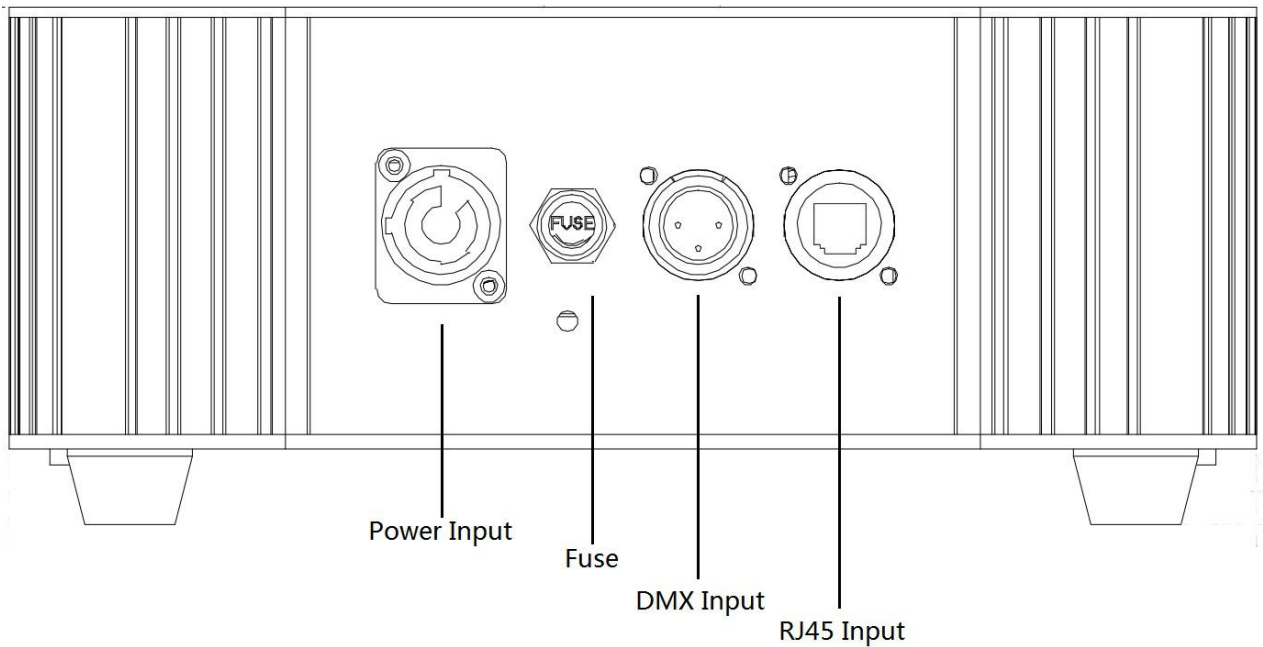
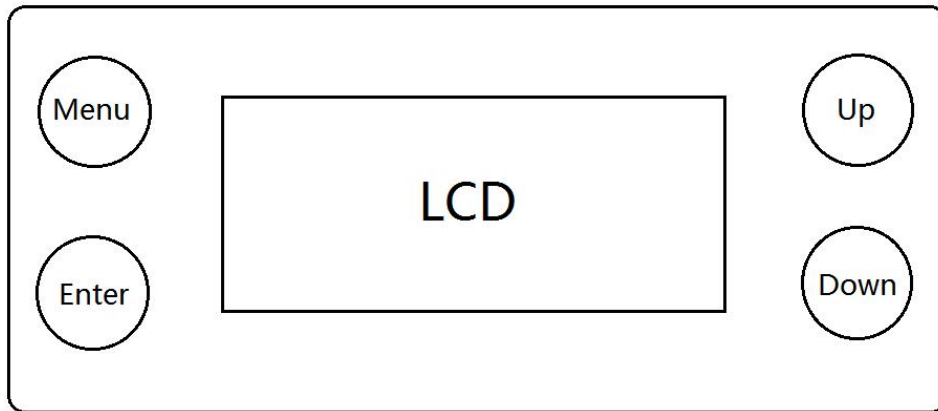


12CH	0-255	Program (17 built-in program small lamp beads, colors are mixed through RGB)
	0—15	Program 1
	16—30	Program 2
	31—45	Program 3
	46—60	Program 4
	61—75	Program 5
	76—90	Program 6
	91—105	Program 7
	106—120	Program 8
	121—135	Program 9
	136—150	Program 10
	151—165	Program 11
	166—180	Program 12
	181-195	Program 13
	196-210	Program 14
	211-225	Program 15
	226-240	Program 16
	241-255	Program 17
13CH	0-255	The larger the value, the faster the speed

126CH Mode

Channels	Values	Function
1CH	0-255	X axis 360 degree rotation
2CH	0-255	X axis rotation fine adjustment
3CH	0-255	Y axis 360 degree rotation
4CH	0-255	y axis rotation fine adjustment
5CH	0-128	XY axis speed
6CH	1-128	Y-axis infinite forward rotation (1 is the slowest, 128 is the fastest)
	129-255	Y-axis infinite reversal (129 speed is the smallest, 255 is the fastest)
7CH	0-255	The first pixel is red
8CH		The first pixel is green
9CH		The first pixel is green
.....
.....
.....
.....
124CH	0-255	The 40th pixel is red
125CH	0-255	The 40th pixel is green
126CH	0-255	The 40th pixel is green

6.Controller Function Overview

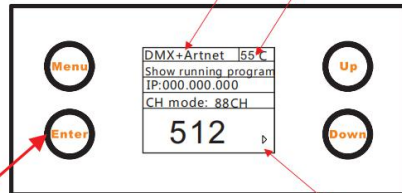


7.Menu

The signal that control the operation are displayed here. For example: DMX, Artnet,....

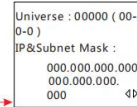
The internal temperature of the lamp is displayed here, and it does not need to be accurate to the decimal point.

Main Menu



Click on the main menu

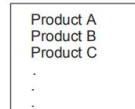
Click the down button to display the parameters of the network settings.



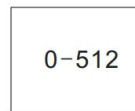
Click the down button to display the version number of the main program of the controller. Click the up button to return to the main interface.

After the display panel is on for 30 seconds after power on, it will automatically lock the screen. Press and hold the OK button for 3 seconds to unlock it.

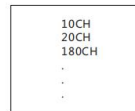
1.Main program ▷



2.DMX Address ▷

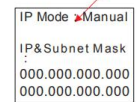


3.Channel Mode Setting ▷

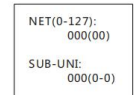


4.Network Settings ▷

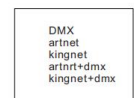
IP&Subnet Mask ▷



Universe ▷

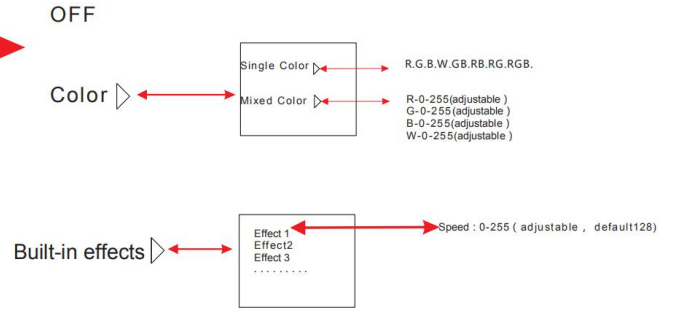


Mode ▷

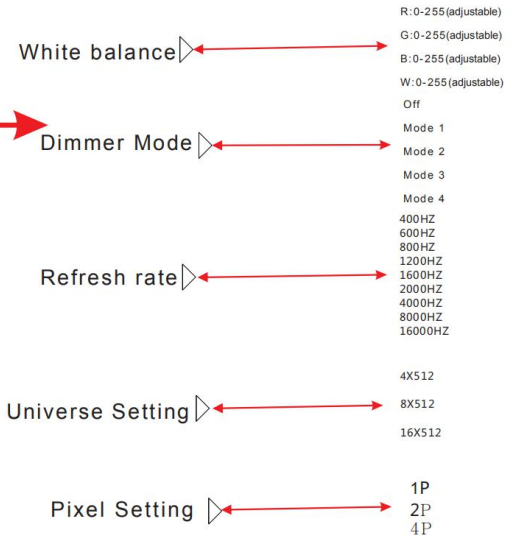


You can choose different modes (such as 2.X.X.X, DHCP...)

5. Manual Setting



6. Advanced settings



Remarks: 1P means 1 lamp bead is one pixel,
4P means 4 lamp beads are one pixel. (The light bar program defaults to a 512 and only uses 480CH)